

# Special Display light - Gemini Series - Bridge Assembly



■ **Model number: DP3010**

Magnet fixing and conducting  
DIY. length base on each 60mm  
Work with EBL specialized joints

**LED Color**

- 3000K
- 4000K
- 5000K

**Finish**

- Black
- White
- Silver

■  CV 24V VDC **Input Character**

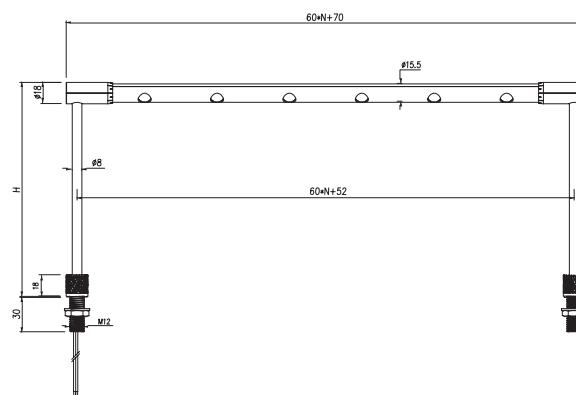
Ra >80/ >90 **Color Rendition Index (CRI) Character**

N\*W **Power (Watts)**

80lm /W **Luminous Efficacy Character**

25° OPTIC **Beaming Angle**

120° DFF **Beaming Angle**



# Special Display light - Gemini Series - Frame Assembly



■ Model number: DP4010

Magnet fixing and conducting  
DIY. length base on each 60mm  
Work with EBL specialized joints

LED Color

- 3000K
- 4000K
- 5000K

Finish

- Black
- White
- Silver

■  CV 24V VDC Input Character

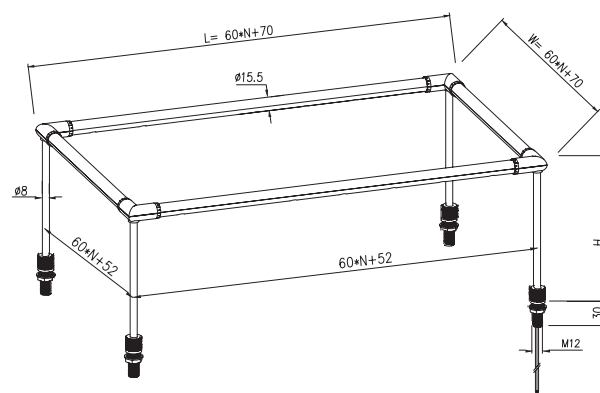
Ra >90/ >90 Color Rendition Index (CRI) Character

N° 0.85W Power (Watts)

80lm /W Luminous Efficacy Character

120° DPF Beaming Angle

25° OPTIC Beaming Angle



# Special Display light - Rukbat Series- Light Bar



■ Model number: DP5010

Magnet fixing and conducting  
 DIY. length base on each 60mm  
 Work with EBL specialized joints  
 Assembly v= Sticker length +35mm\*2

LED Color

- 3000K
- 4000K
- 5000K

Finish

- Black
- White
- Silver

- CV  
24V  
DC Input Character
- N\*W Power (Watts)
- 25  
OPTIC Beaming Angle

- Ra  
>90/  
>80 Color Rendition Index (CRI) Character
- 80lm  
/W Luminous Efficacy Character

